

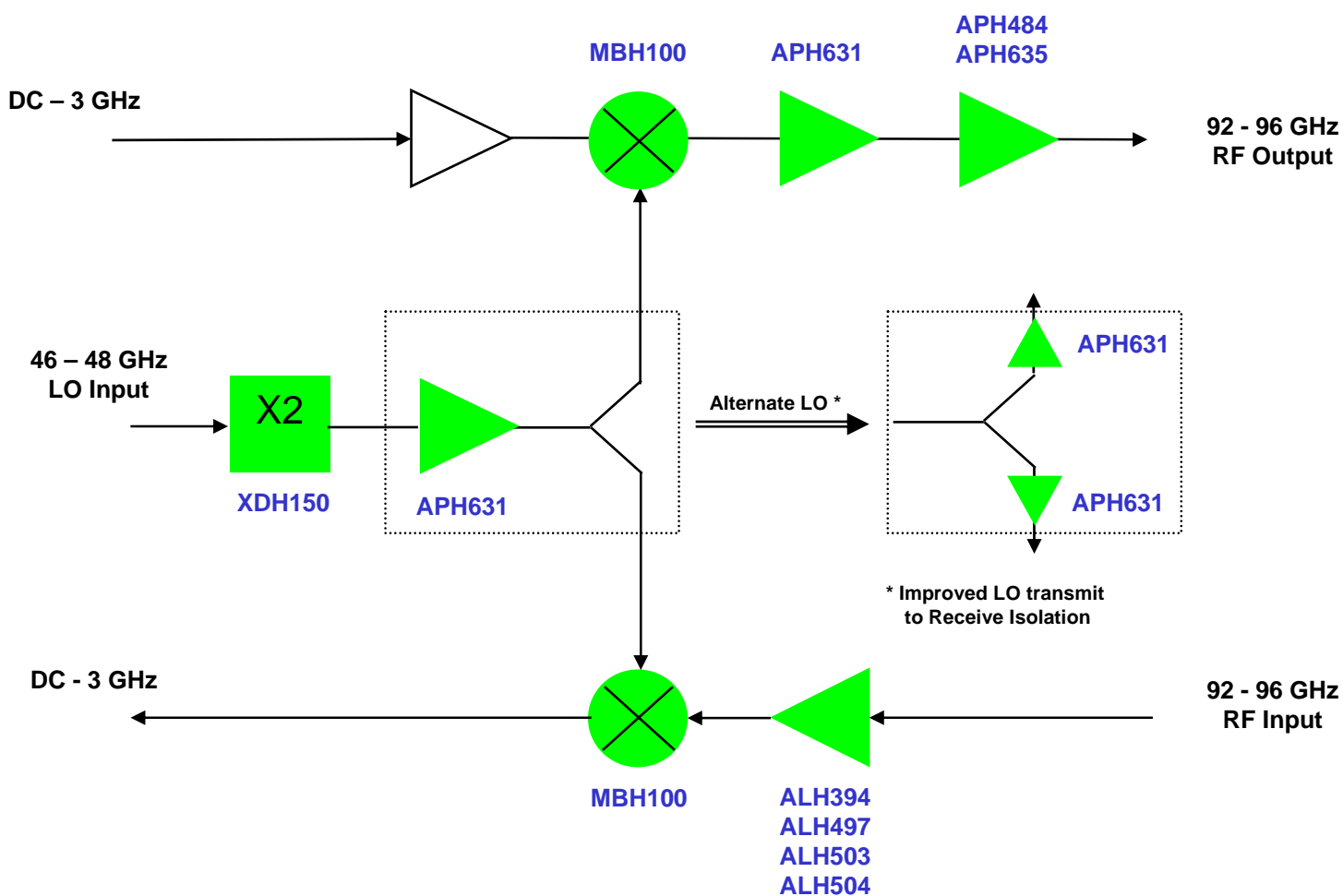


Features

- <5 dB LNA noise figure
- 23 dBm Psat PA output power
- Production quantities available NOW

Applications

- Short haul high capacity links
- Sensors



The products represented by this brochure are subject to U.S. Export Law as contained in ITAR or the EAR regulations.

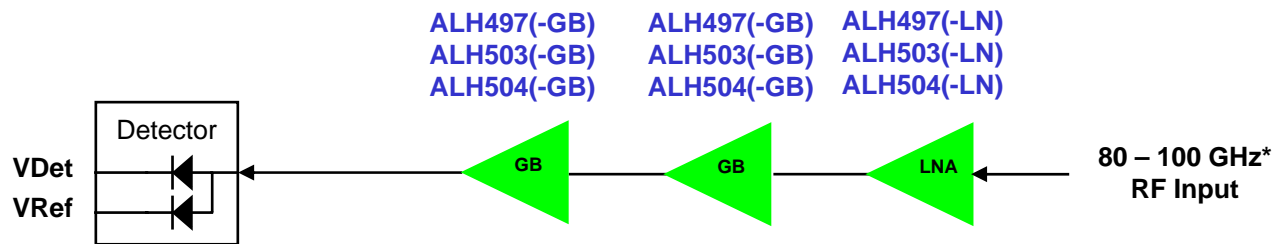


Features

- W-Band Passive Pixel
- < 4.5 dB Typical Average Noise Figure
- > 50 dB Typical Average Gain
- Production quantities available NOW

Applications

- Millimeter-Wave Passive Imaging
- Sensors



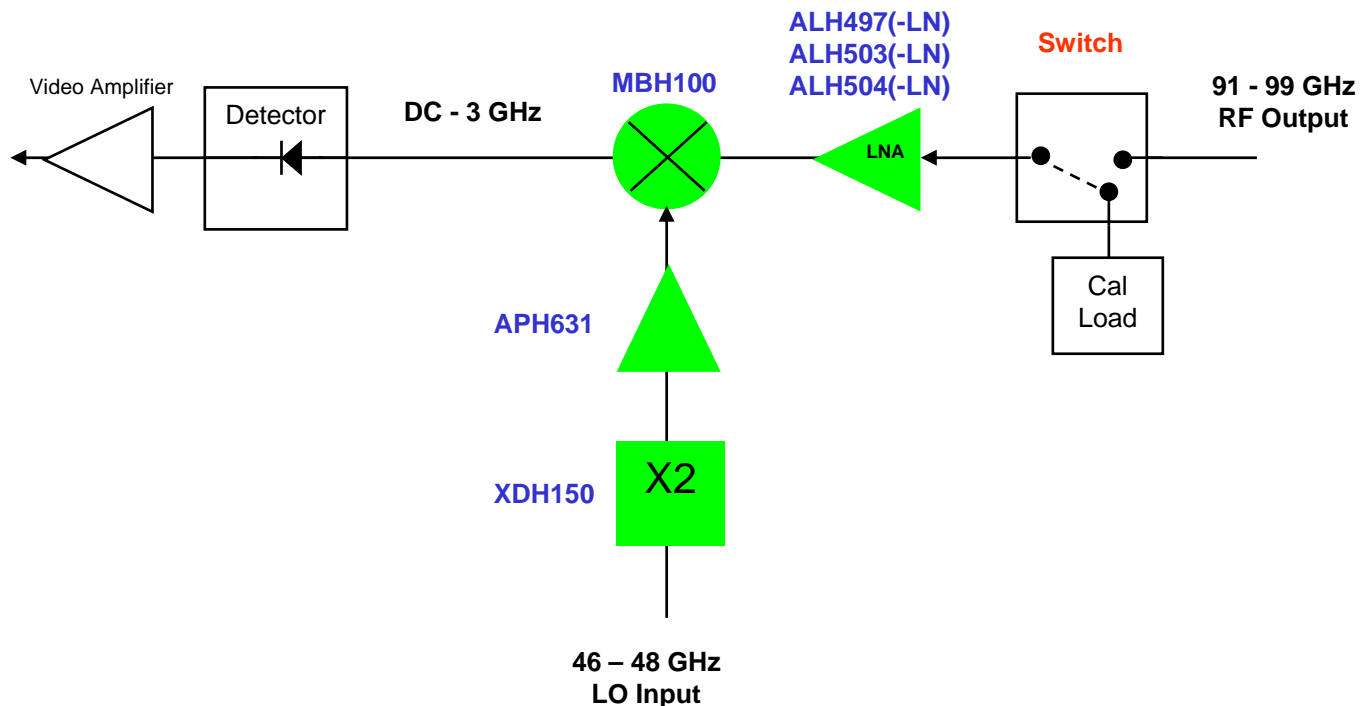
* ALH504 covers 82 – 102 GHz

Features

- Frequency range from 91 to 99 GHz
- < 4.5 dB Typical Average Noise Figure
- Production quantities available NOW

Applications

- Radiometers
- Sensors



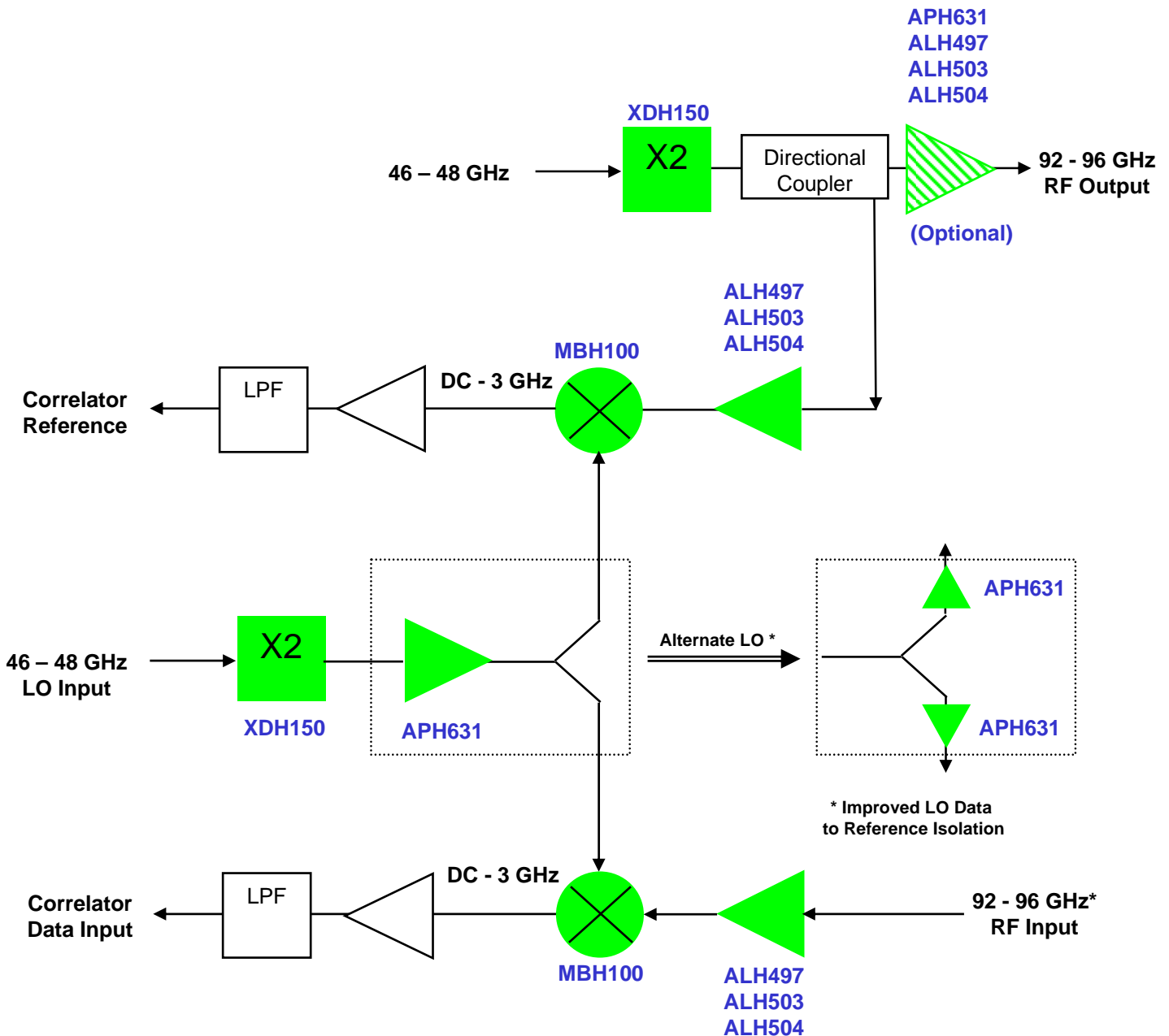
The products represented by this brochure are subject to U.S. Export Law as contained in ITAR or the EAR regulations.

Features

- W-Band Active Pixel
- Frequency range from 92 to 96 GHz
- < 4.5 dB Typical Noise Figure
- Up to 15 dBm P1dB RF output power
- Production quantities available NOW

Applications

- Millimeter-Wave Active Imaging
- Sensors



The products represented by this brochure are subject to U.S. Export Law as contained in ITAR or the EAR regulations.