



# XM914

30mm Bushmaster®  
Chain Gun®

Northrop Grumman's Medium caliber cannons boast unrivaled reliability and effectiveness. When paired with our exceptional training services, certified accessories, and OEM warranties, Northrop Grumman delivers best-in-class value and a guarantee of optimal performance. No matter what your mission critical objectives are; combat, peacekeeping, or training; we offer the necessary services to maintain your weapons systems at a fully mission capable rating and the ability to consistently sustain and optimize your fleet.

## Guns Segment Market

The Gun Systems Market Segment exists to meet the ever changing demands of the warfighter through innovation in technology, program execution, lifecycle cost, and product delivery. The guns team is committed to becoming the undeniable global leader in medium caliber gun systems support, an agile competitor and respected worldwide as a preeminently responsive partner.

## Facts At A Glance

- Proven technology based on M230 gun for the Apache attack helicopter
- The XM914 fires percussion primed 30mm x 113mm ammunition
- Weapon can be reconfigured to fire electric primed ammunition such as M788 and M789
- Easily integrated into remote weapons stations for land, air and sea combat platforms
- Effective, lightweight, and easy to maintain
- Multi-role, multi-target system capability
- Electronic round counting capability

## Automatic Cannon

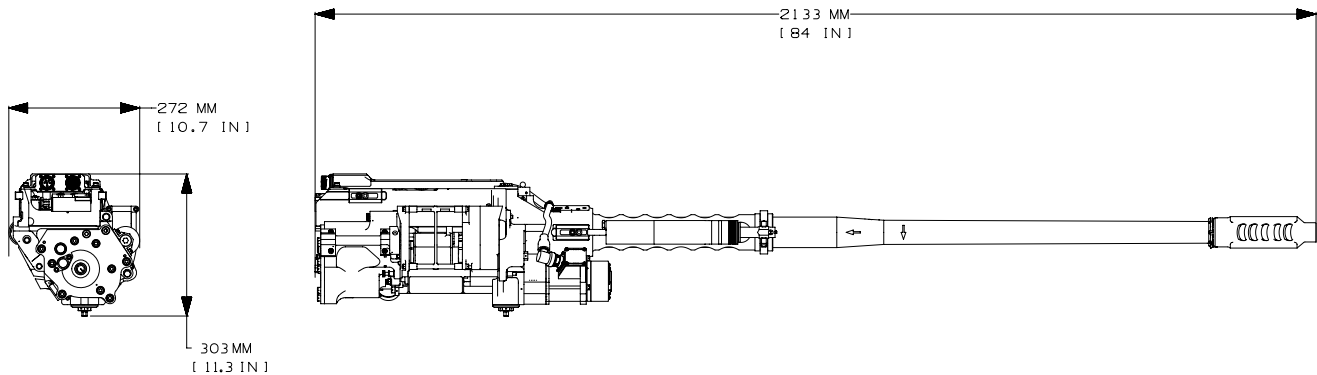
The XM914 Bushmaster® Chain Gun® is a link fed, percussion prime optional version of the battle proven 30x113mm M230 Chain Gun®. The XM914 is a multi-role, multi-target gun system designed primarily to defeat unmanned systems, as well as adversarial combat systems and lightly protected structures. The lightweight, compact, and low recoil of the XM914 make it ideal for integration into remote weapon stations for lightweight platforms. In the near future, Northrop Grumman will qualify its development of proximity and guided medium caliber ammunition, which will provide the XM914 an even greater capability to defeat unmanned threats.

## Designed for Advanced Threats

- Easily integrated into remote weapon stations
- Fully functional with a family a qualified rounds to provide vehicle self-defense as well as the capability to defeat ground and aerial unmanned systems

## Proven Capability

- Based off of the M230 cannon, featured on the Apache helicopter
- Fires HEDP, TP, HEI-T, & NATO 30mm ammo



## Characteristics

	Imperial	Metric
Recoil	1,950 lb	8,674 N
Weight*		
Receiver	76 lb	34.5 kg
Recoil Adapter	39 lb	17.7 kg
Barrel	50.2 lb	22.75 kg
Total	171 lb	77.6 kg
Power Requirement	1.0 HP	
Rate of Fire	Single Shot, Burst, Full Automatic @ 200 SPM	
Clearing Method	Cook off safe / open bolt	
Safety	Absolute Hangfire Protection	
Case Ejection	Side	